



POLITERM

Technology

— the **heart** of our know-how —



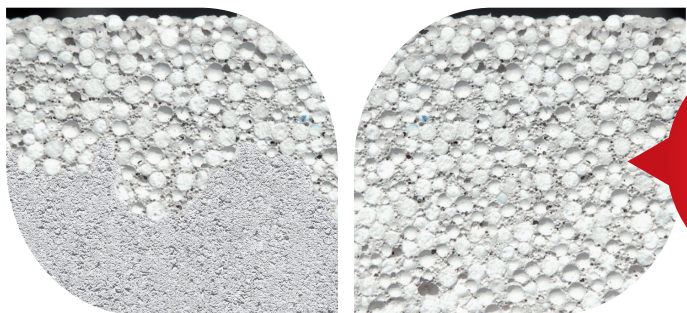
The NATIVE TECHNOLOGY

Edilteco's native technology is the best means for the production of lightweight and thermal insulating mortars and concrete. The result of years of Research & Development process is **Politerm® Blu, virgin EPS beads coated with the special additive: E.I.A.** (Edilteco Insulating Additive).

E.I.A. ADDITIVE: THE HEART OF OUR TECHNOLOGY

E.I.A. is the special additive developed by Edilteco, that during the production phase coats the virgin EPS beads. This coating guarantees a perfect mixing of the beads with cement and water, avoiding the phenomenon of beads flotation. Because of their different specific weights, it is almost impossible to naturally mix EPS beads and cement because they tend to separate each other. Thanks to E.I.A. this problem is solved: the result is a perfectly homogeneous, highly thermal insulating and top quality mortar and concrete.

- Perfect mixing with water and binders.
- Homogeneous distribution of EPS beads within the mortar.
- Perfect pumping capacities.
- Prevention of EPS bead flotation.



Mixture
with
E.I.A.

WHY THE EPS BEADS?

BECAUSE IT IS THE BEST COMPROMISE BETWEEN COST AND PERFORMANCE. THE MAXIMUM LIGHTNESS AND INSULATION AT THE LOWEST COST!

Advantages of the mortars and concrete with EPS beads:

- They are lightweight, easy to apply and to transport.
- They are PH-controlled and non-corrosive, hence the mixes do not trigger reactions of any kind with the materials with which they come into contact.
- The EPS is devoid of nutritional value which could support the growth of fungi, bacteria and other microorganisms.
- The EPS is non-toxic and inert.
- The EPS does not pollute soil in landfills or the atmosphere.
- Resistance to humidity: coated virgin EPS is waterproof (no absorption of water).
- Highly thermal insulating properties required by law.



OUR TECHNOLOGICAL HEART

Become a **LICENSED PARTNER!**



45 DAYS TO START YOUR OWN PRODUCTION

Every year all over the world, new companies choose to invest in Edilteco's technology.

They choose to be our Partners.
They choose to be the manufacturers of our Products.
They choose to spread our brand in their own country.

The Partnership with Edilteco is an international success.
Becoming our partner means manufacture high quality products.



PARTNER LICENSING PROGRAM

Step One
EPS PRODUCTION Plant
POLITERM® EVOLUTION Plant

Step Two
DRYMIX Plant

Step Three
ECAP® Plant

& More ...
SMARTBLOCKS Plant

Becoming Edilteco Licensed Partner means benefit of over 40 years of experience and share the experience of over 40 partners from all the world.
You will be kept abreast of every possible new application and supported by our Technical Department.



DISCOVER THE BEST OF OUR NATIVE TECHNOLOGY!

WHAT CAN YOU DO WITH EPS?

PRODUCTS WITH EPS TECHNOLOGY

- Production of lightweight thermal insulating mortars for screeds, base screeds and plasters.
- Production of prefinished boards (EPS & more) with cementitious smoothing mortar and fiberglass mesh, for the EWI of buildings.
- Production of lightweight thermal insulating blocks for construction.

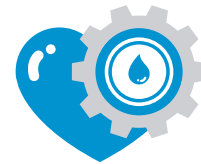
ADVANTAGES OF EDILTECO'S PRODUCTS:

- **High thermal insulation values.**
- **Lightness.**
- **High quality control.**
- **Easy application** (mortars with thermal conductivity as low as 0,043 W/mK and as light as 130 kg/m³).
- **Over 30 millions cubic meters** have been produced so far across the world.

The best from our
**NATIVE
TECHNOLOGY!**

IF YOU WANT THE BEST ...
WE GIVE YOU THE BEST!

Edilteco's Engineering Division designs and builds in its factory the production plants necessary for manufacturing its products. Thank to the licensing program, Edilteco provides these plants to its customers, making them **Partners**. In this way, Edilteco has a full control over the final product quality and can adapt the manufacturing specification to individual partners and their market's requirements. Thanks to the constant research and development of this division, Edilteco designs, manufactures and tests machineries for a perfect on site product. The aim is to offer to our partners all the means necessary to substantially improve the quality of production and finished products. **The technological innovation of this division makes Edilteco the only company in the world that designs and builds both industrial production plants and building site equipment for lightweight and thermal insulating screeds.**



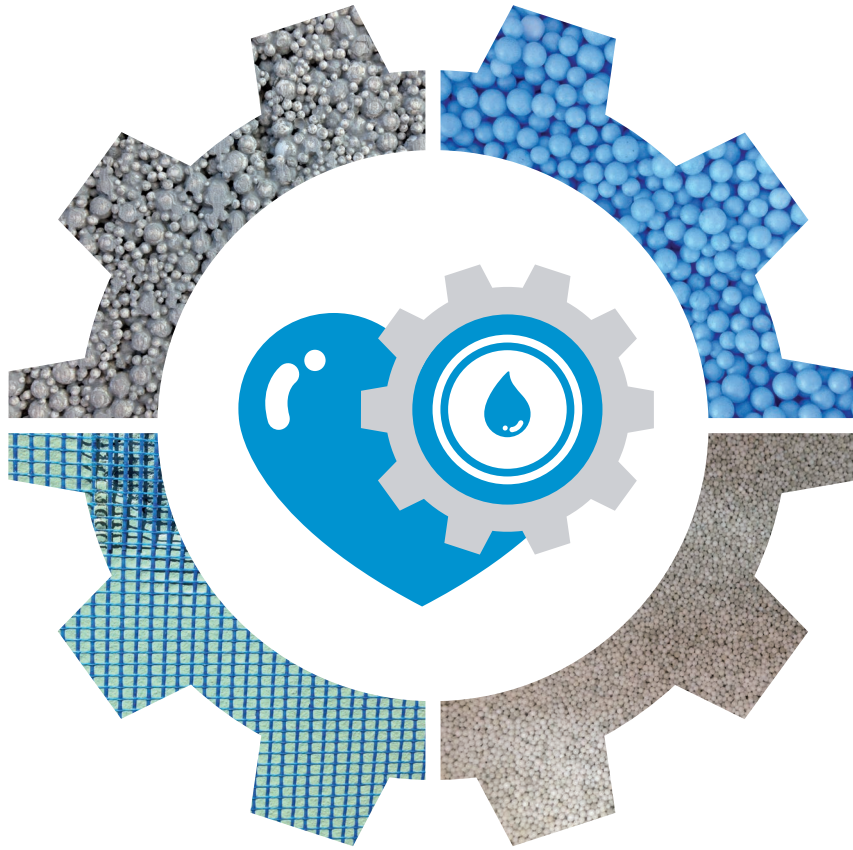
POLITERM
Technology



E&MP
Engineering Division



Building site equipment and
industrial plants production



The secret of our products starts with a bead ...
 Politerm® Blu · Ready to use bags · Ecap® · Smartblocks

EPS EXPANSION PLANT

**AUTOMATED PRODUCTION PLANT
 FOR THE EXPANSION OF THE RAW MATERIAL INTO EPS.**

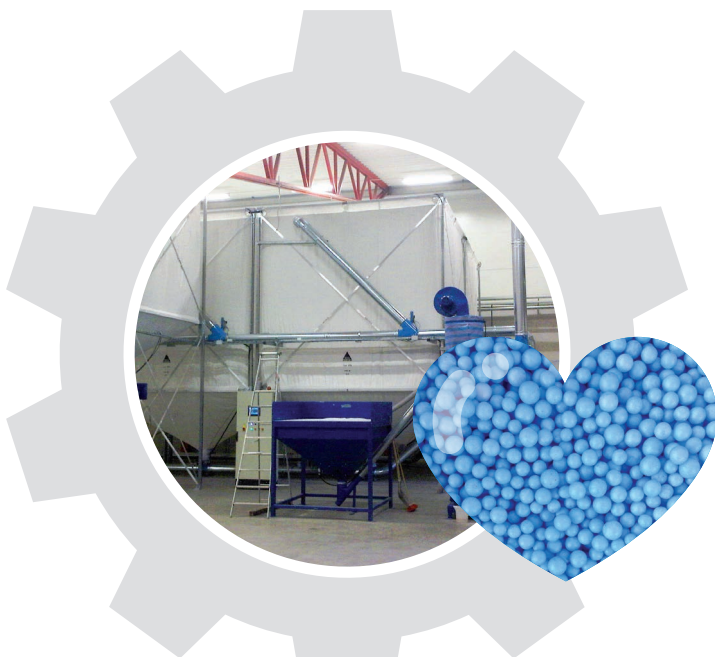
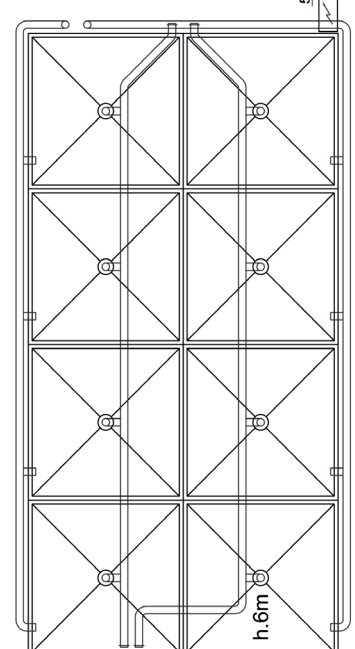
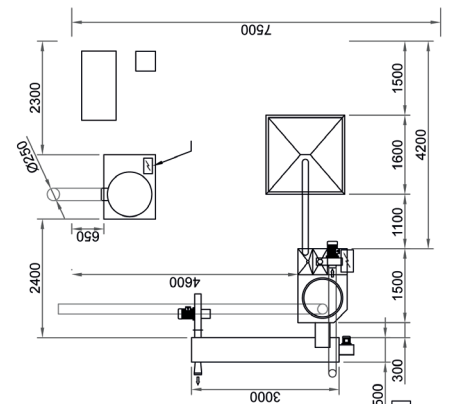
Production capacity & Personnel

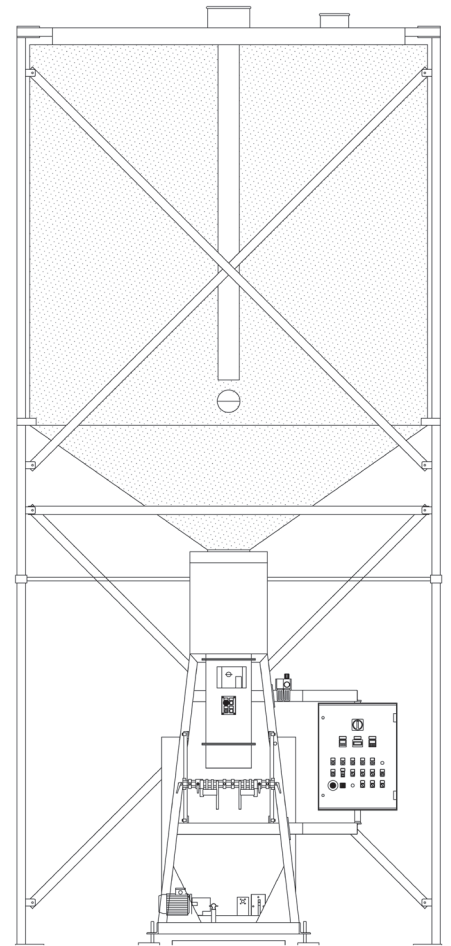
- Capacity of 500 kg/h for the first expansion (25 g/L).
- Capacity of 150 - 200 kg/h for the second expansion (16 g/L)*.
- 6 hours to produce 100 m³ of EPS with density 8 - 10 kg/m³.
- The plant is automated. One worker is required.

(* according to the quality of the raw material in some extend it may be necessary a third expansion in order to achieve 8 to 10 g/L density).

Space

400 sqm. (≅ 4300 sq. feets).





POLITERM® EVOLUTION PLANT

COATING AND BAGGING PLANT OF EPS BEADS FOR THE PREPARATION OF LIGHTWEIGHT AND THERMAL INSULATING CONCRETE.

Production capacity & Personnel

1 worker = 240 m³ of Politerm® in eight working hours.
2 workers = 480 m³ of Politerm® in eight working hours.

Space

Plant of only 10 sqm.
200 sqm. considering also the stock area.

DRY MIX PLANT

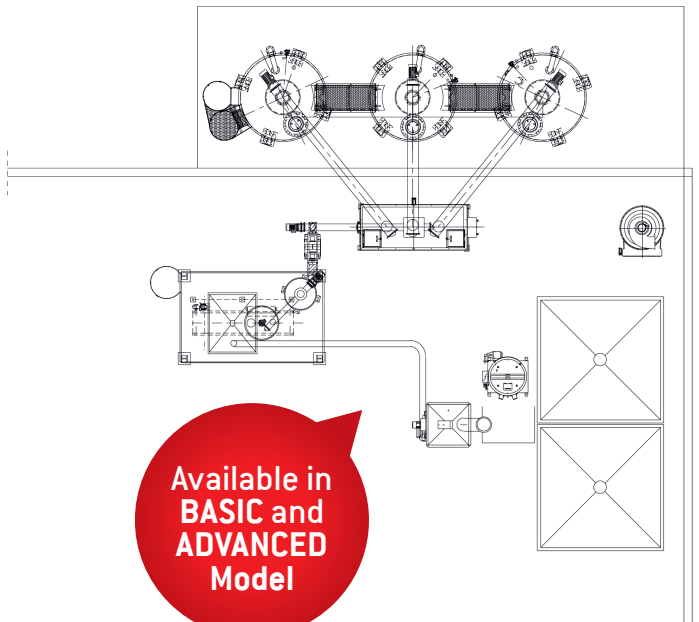
AUTOMATED PRODUCTION PLANT FOR THE MANUFACTURE OF READY TO USE BAGS.

Production capacity & Personnel

With 2 people, the plant has a productive capacity of 90 - 120 bags/hours of lightweight premixed mortar, in the amount of 5 - 7.8 m³/h, depending on the product.

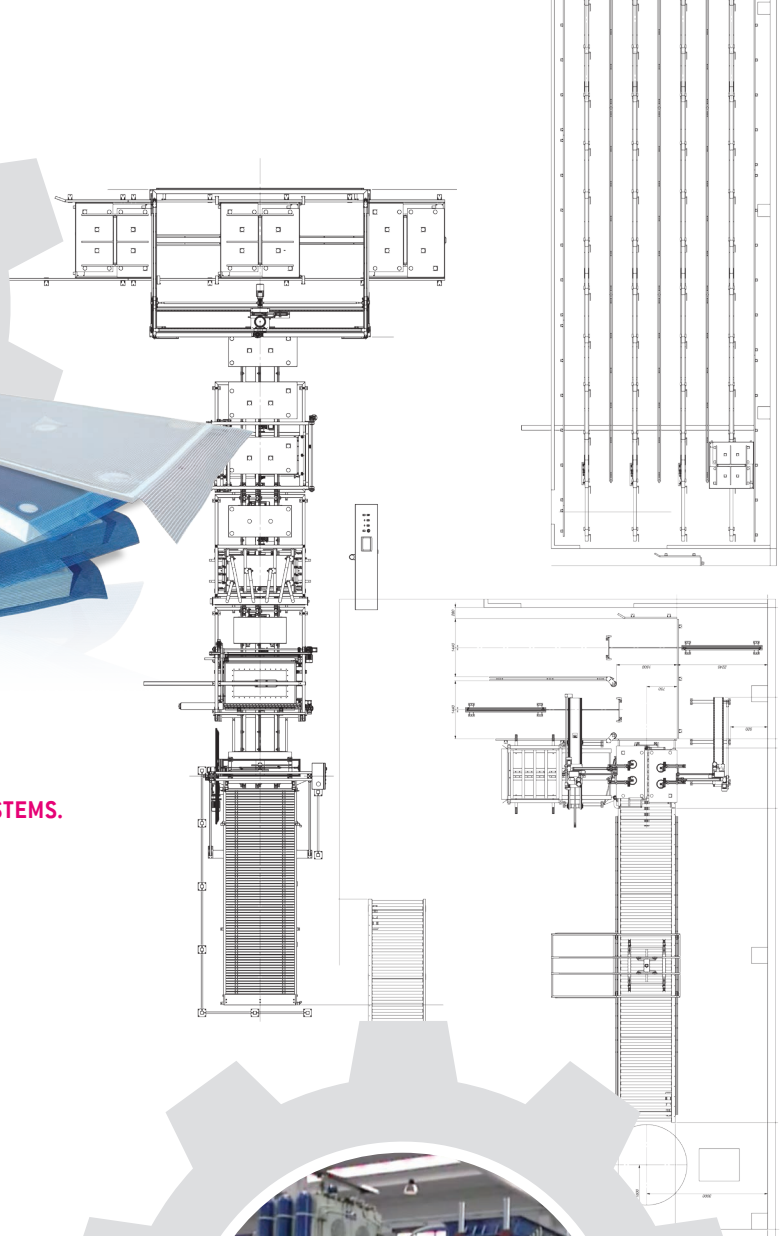
Space

Smaller than 200 sqm. (≅ 2150 sq. feet).



Available in BASIC and ADVANCED Model





ECAP[®] PLANT

AUTOMATED PLANT FOR THE PRODUCTION OF PRE-FINISHED BOARDS FOR EWI SYSTEMS.

Production capacity & Personnel

100 boards/h with two workers.

Space

This plant is smaller than 1000 sqm. (≈ 10.800 sq. feet).

SMARTBLOCKS PLANT

AUTOMATED PLANT FOR THE PRODUCTION OF LIGHTWEIGHT AND THERMAL INSULATING EPS-CONCRETE BLOCKS FOR CONSTRUCTION.

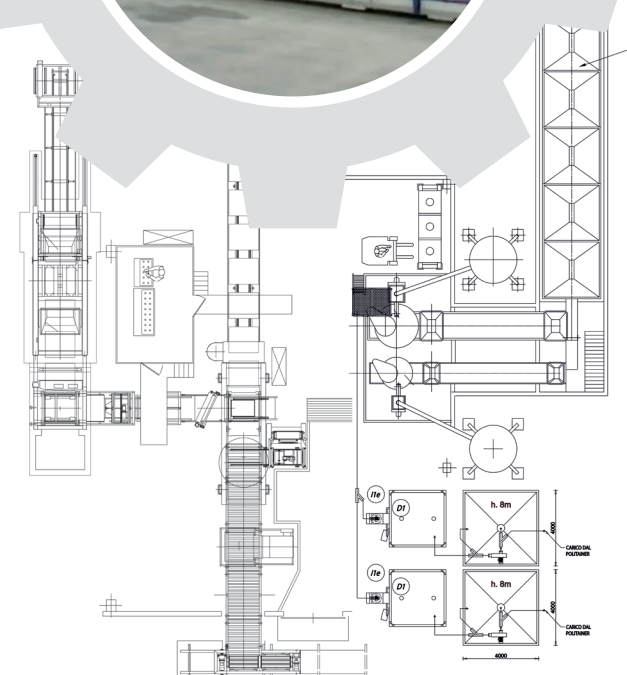
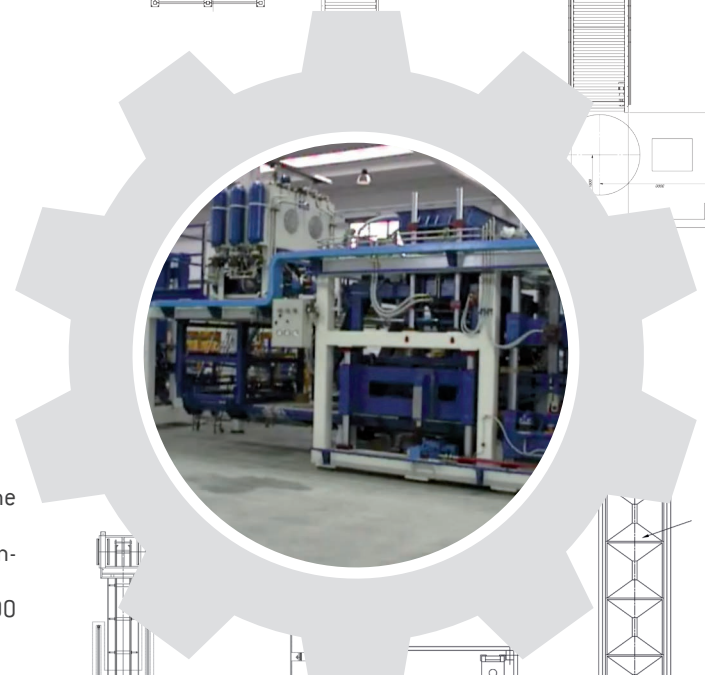
Production capacity & Personnel

Considering 12 working hours with two/three workers:

- Two holes blocks (20 x 20 x 40 cm): up to 18.000 pieces.
- Flooring (10 x 20 x 6 or 8 cm thick): up to 1500 sqm. (≈ 16.100 sq. feet).

Space

- A covered area of about 2000 sqm. (≈ 21.500 sq. feet) for the plant and the seasoning cells.
- An outdoor area of about 300 sqm. (≈ 3200 sq. feet) for the concrete mixing.
- A storage area of finished products of about 6000 sqm. (≈ 64.600 sq. feet) *changeable according to the site surface.*



EDILTECO, AN INTERNATIONAL SUCCESS

italy . france . benelux



LEGEND

- Edilteco Group
- Partners
- Distributors



360° Insulation

Edilteco S.p.A. Via dell'Industria, 710 . 41038 San Felice sul Panaro (MO) Italy . Ph. +39 0535 82161 . Fax +39 0535 82970
www.edilteco.com | info@edilteco.com



YouTube Consult our technical and application videos on the Edilteco YouTube Channel . www.youtube.com/user/EDILTECOvideo



Edilteco is associated with:



COMPANY WITH
 QUALITY SYSTEM
 CERTIFIED BY DNV GL
 = ISO 9001 =